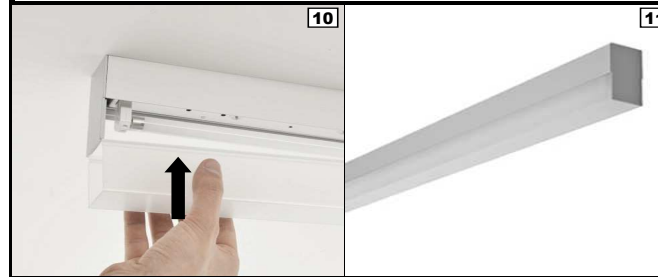
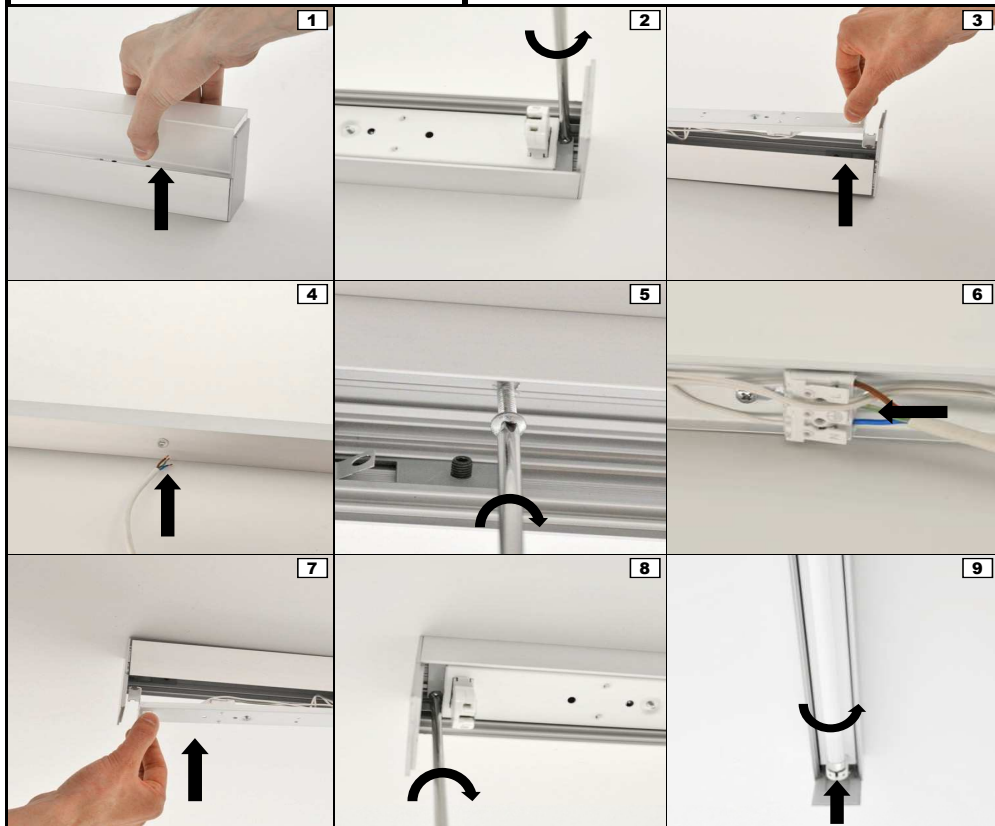
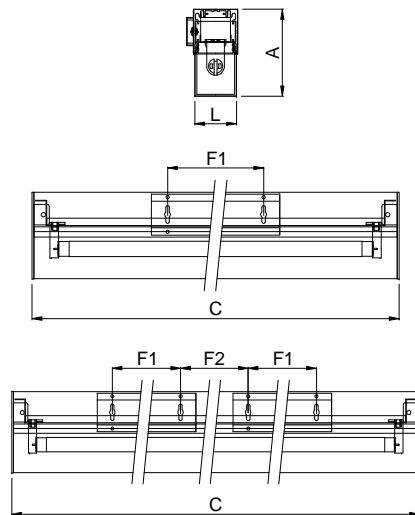


Watt	C	L	A	F1-F2-F3
14/24	604	55	90	300
21/39	904	55	90	300
28/54	1204	55	90	300-254-300
35/49/80	1504	55	90	300-554-300



Watt	C	L	A	F1-F2-F3
14/24	604	55	90	300
21/39	904	55	90	300
28/54	1204	55	90	300-254-300
35/49/80	1504	55	90	300-554-300

